

## H10H Series DC fast fuse

### 1. Purpose and use

This series of DC fuses are suitable for rated DC voltage of 500V (450V), rated breaking: 20KA, as the comprehensive protection of the electric compressor, DC converter and auxiliary circuit, inverter, DC power supply, instruments and meters, and base station of the vehicle line system, it also has the characteristics of strong current limiting capacity, high breaking capacity, fast short-circuit breaking speed, and can withstand the temperature shock, mechanical vibration shock, current shock, chemical load, etc. This series of products The product complies with ISO 8820-8, JASO D622 and GB / T31465.6

### 2 . Normal working conditions

**Allowable service conditions: - 40 °C ~ + 125 °C;**

### 3. Use category

**Fast fuse for full range protection.**

### 4. Structural characteristics

**The melting tube of the product is made of special materials with high temperature resistance, with high fire resistance and strong hardness. The melt is sealed in the melting tube with variable cross-section melt made of 99.99% pure silver. The melting tube is filled with high-purity quartz sand and special treated chemicals as arc extinguishing medium. The contact surface is silver plated to ensure reliable electrical performance, greatly reducing temperature rise and power consumption; Both ends of the melt are firmly connected with the contact by spot welding, which greatly enhances the safety and reliability of breaking short circuit fault current.**

**5. Agreed current and time:**

Test currentA	Fusing time s	
	In:	
	min	max
<b>1.1In</b>	<b>14400</b>	<b>-</b>
<b>1.35In</b>	<b>150</b>	<b>3600</b>
<b>1.5In</b>	<b>10</b>	<b>1000</b>
<b>2In</b>	<b>0.5</b>	<b>100</b>
<b>3In</b>	<b>0.1</b>	<b>15</b>
<b>5In</b>	<b>0.05</b>	<b>1</b>

**Note:** the agreed current and agreed time required by the customer can be negotiated with our company.

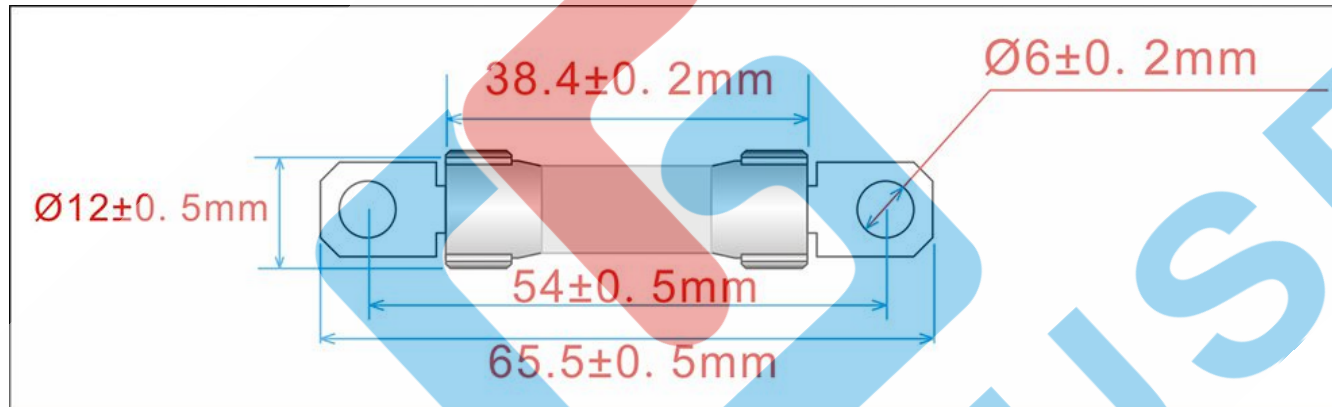
- (1) Percentage of change in fuse current carrying capability. Change in ambient temperature: -0.13 %/°C
- (2) Temperature Rise: ≤75 K at rated current; ≤45 K at 60 % of rated current
- (3) Operation Temperature Range: -40°C to +125°C

**6.Parameter:**

NO:	Product model	Rated current (A)	Rated Voltage		Breaking Capacity (KA)
			DC	DC	
1	H10H10	10	450V	500V	20
2	H10H12	12	450V	500V	20
3	H10H15	15	450V	500V	20
4	H10H16	16	450V	500V	20
5	H10H20	20	450V	500V	20
6	H10H25	25	450V	500V	20
7	H10H30	30	450V	500V	20
8	H10H35	35	450V	500V	20
9	H10H40	40	450V	500V	20
10	H10H45	45	450V	500V	20
11	H10H50	50	450V	500V	20

Note: different current can be customized according to the customer's requirements

**7. Product scale:**



8. Characteristic curve:(For reference only)

TEL:0769-82391938 81100206

FAX:0769-82391939

<http://www.gfefuse.com>

