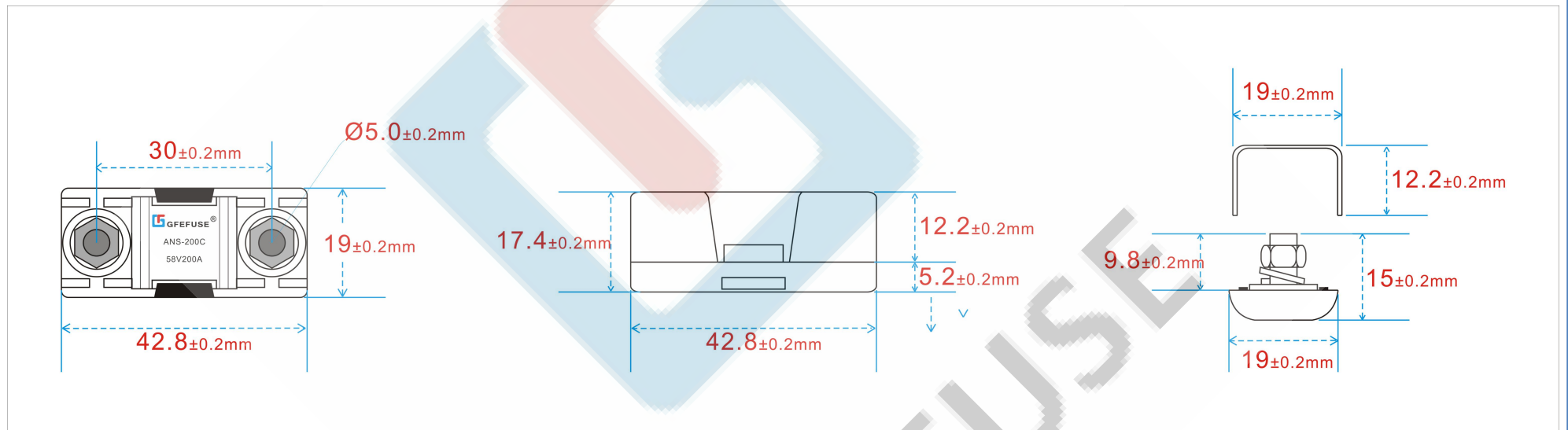


Inline GFEFUSE® ANS™-200C wire harness fuse holder (small fork bolt car fuse box)

Product Key Dimension Drawings



Note: Mould size changes are not notified. Dimension drawings are used as reference.

The company has obtained the quality system certification of IATF16949:2016 automobile industry. The product has obtained UL CE CQC TUV REACH and many international certification.

Inline GFEFUSE® ANS™-200C wire harness fuse holder (small fork bolt car fuse box)

Product performance description;

- 1.Max. Voltage Rating: 32V/58V DC(Matching GFEFUSE® series Small flat fuse ANL-C™)**
- 2.Max. Fuse Rating: 200A**
- 3.Operating Temperature Range: -40°C to +125°C**
- 4.Max. Wire Size: 20mm²**
- 5.M5 Torque Rating: 5Nm**
- 6.Base/Cover Material: UL 94V-0 glass-filled nylon**
- 7.M5 Bolt Material: Zinc-plated**
- 8.Used in automobiles, batteries, power supply, mobile. Internal interconnection.**
- 9.Advantages: Convenient connection and fuse replacement. Small size**

The company has obtained the quality system certification of IATF16949:2016 automobile industry.
The product has obtained UL CE CQC TUV REACH and many international certification.